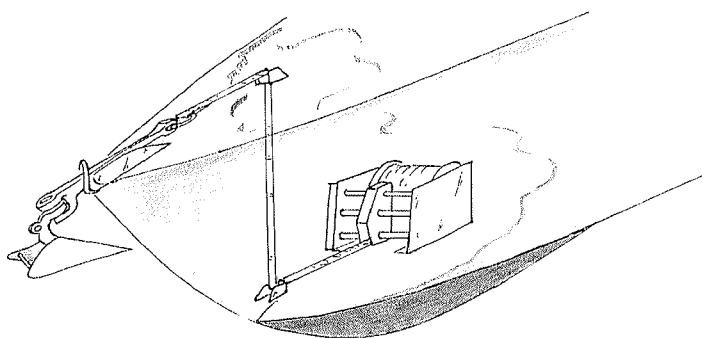
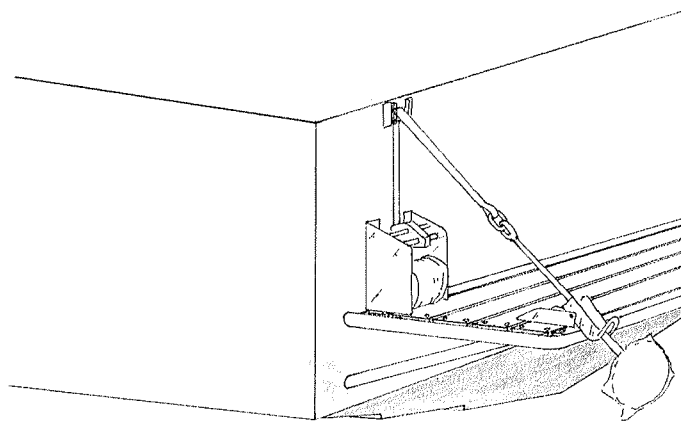


Some examples on WM™ installation

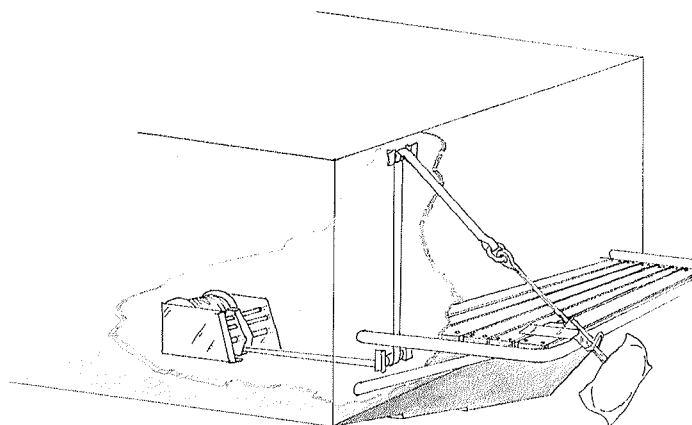
Only your fantasy sets the limits.



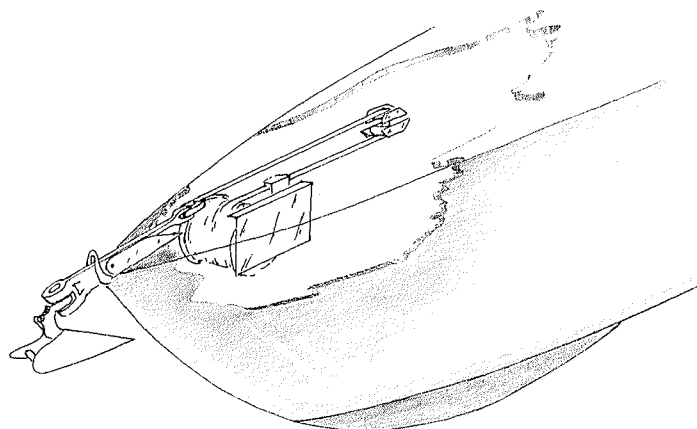
On the cabinsole in the forepeak.



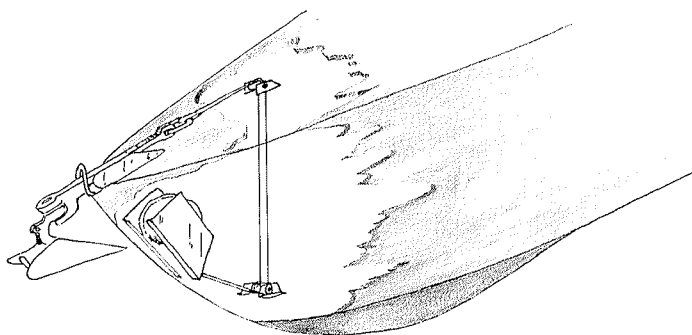
On the transom, outboard (cover required!)



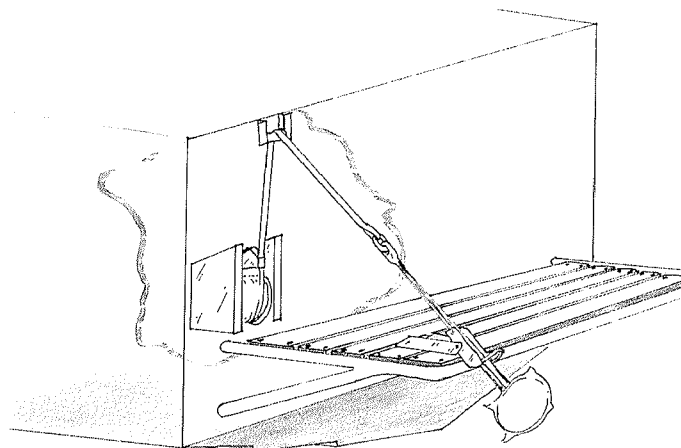
On the cabinsole aft.



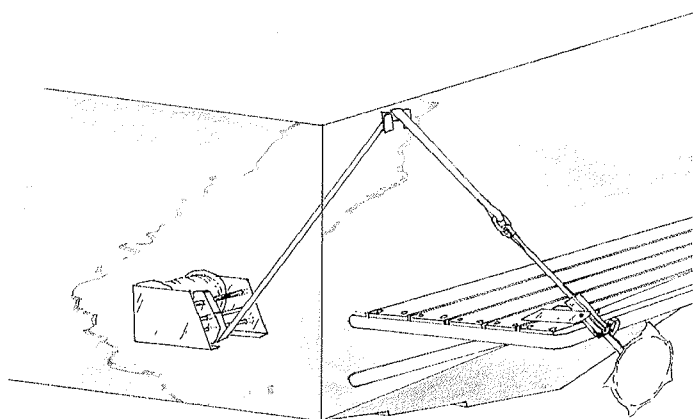
Under foredeck at the stern.



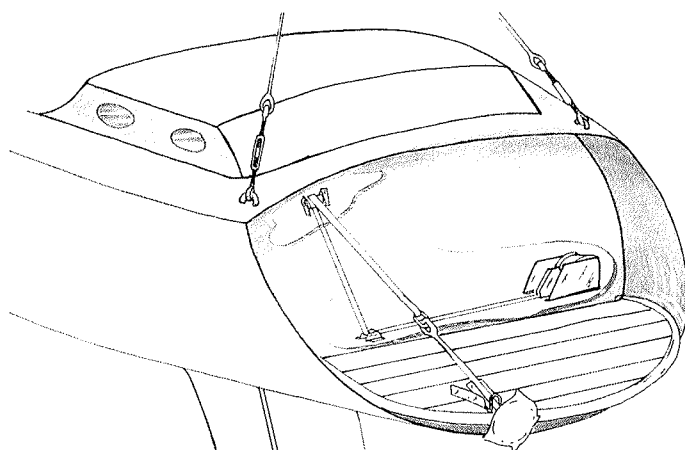
In the chainlocker at the stern.



Inside on the transom.



In the hull, aft.



Crosswards, aft, in suitable space.